



**Fitting type:** Inset

**Sink handing:** Left hand main bowl

**Finish style:** Black Metallic Granite

- **Min. base unit (mm):** 500
- **Packaged size L x W x D:** 570 x 580 x 280mm
- **Supplied boxed or sleeved:** Boxed
- **Boxed weight:** 7.76 kg
- **Sink only weight:** 6.30 kg

- Durable matt finish granite composite construction throughout
- Compact sink designed to complement smaller kitchens
- Softened square edges for a sharp but easy clean look
- Model can be undermounted or inset fitted

**Included parts:**



1 x AX1104 (m)  
Rectangular overflow (55x30mm horizontal)



1 x AX1031 (m)  
Composite inset fixing clips x 4



1 x AX1002 (m)  
90mm (1.5") Orbit manual basket strainer waste - long bolt



1 x AX4052 (m)  
LivInc installation instructions

**Recommended accessories:**



1 x AX2506  
System Drainer / Trivet (roll up)



1 x AX1508  
System Colander



1 x AX2024  
System Bamboo Chopping Board



1 x AX1169  
Electronic pop up waste



1 x 506-16-365  
Extendable waste pack


All accessories can be purchased directly from [www.abode-shop.co.uk](http://www.abode-shop.co.uk) or phone 01226 283434

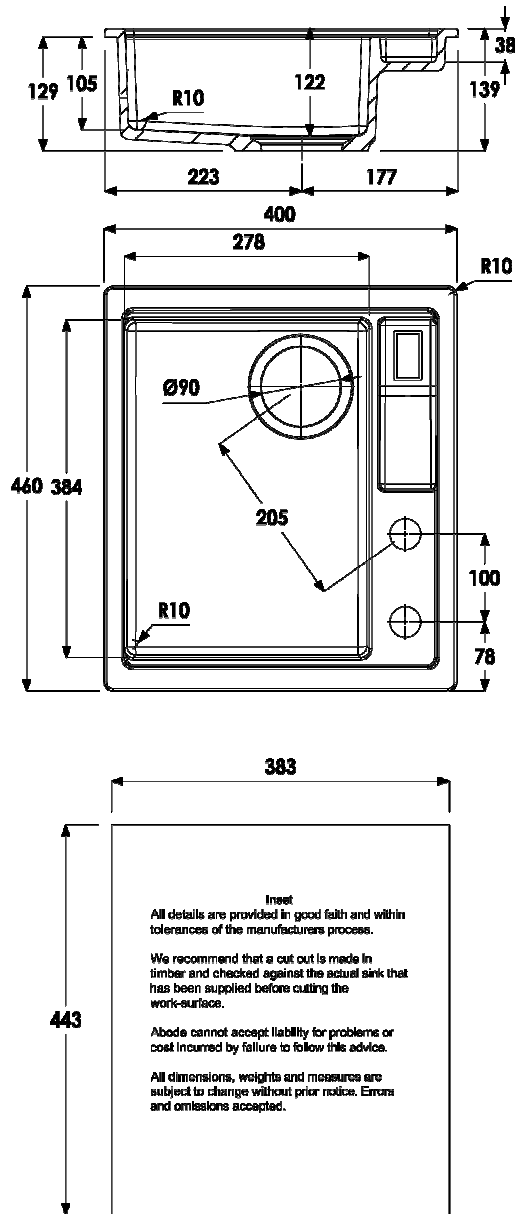
**Materials & workmanship warranty summary:**

- Sink materials & workmanship 10 years.
- Waste kits 1 year.
- Connecting pipework 1 year.

**Care instructions summary:**

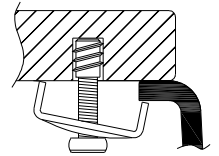
- Clean the products regularly using soapy water and a non-abrasive cloth, regular cleaning will prevent the build-up of lime scale and dirt.
- Avoid contact with corrosive or abrasive substances.
- After cleaning rinse thoroughly with clean water then dry.
- For more detail see supplied booklet or [www.abodedesigns.co.uk](http://www.abodedesigns.co.uk)

**Product dimensions and installation information:** note:  symbol indicates position of acoustic pad on stainless products.



**\*Important, fabricator / installer notes for undermount & Flushmount sinks:**

The cut out size indicated is aligned with outside edge of the bowl top radius (similar to the example below).



You should confirm with your client if the worksurface cutout is to be cut flush, inside or outside this suggested perimeter shape & size.

If you create the cutout smaller or larger than the indicated size then the fit of the accessories may be affected and should be physically checked.

**General:**

All details are provided in good faith but do not include the tolerances of the material or manufacturing process.

**We request that a test cutout is made in scrap timber and checked against the actual sink to be installed before committing to cutting the final worksurface.**

**Abode can not accept liability for problems or costs incurred by failure to follow this request.**

Note: the dimensions on ceramic fireclay products are subject to wider tolerances due to the nature of this natural material and the firing process.

CAD cutout files can be downloaded from [www.abodedesigns.co.uk](http://www.abodedesigns.co.uk)

**Additional notes:**

**Overall product size:** 400 x 460 x 139, corner radius 10 mm

**Taphole(s) detail:** 2 x Ø 35mm, Part drilled for drill guide

**Wastehole(s) detail (mm):** 90 / N/A / N/A

**Min. base unit (mm) (refers to space required for bowl, tap and overflow only):** fits 500 carcass

**Min. Recessed fitting width (mm):** required (bowl(s), tap and overflow: 375

**\*Worktop cut out size (mm):** 383 x 443, corner radius 1, for .DXF cut files please see our webiste

**Min. & Max worktop depth or clip depth reach range (mm):** 35 - 50

**Fitting temple supplied?** No, use cut out instructions as supplied, adjust according to the product received

**Dishwasher under drainer?** Distance from top of worktop to underside of the drainer N/A mm

**Bowl details:** (sizes in mm unless specified otherwise)

**Bowl 1 (typically main bowl):**

**Bowl 1 size L x W x D (mm):** 278 x 384 x 122

**Bowl 1 construction:** Moulded, 10.00 mm

**Bowl 1 floor radius (mm):** 10

**Bowl 1 Wastehole diameter (mm):** 90

**Bowl 1 overflow:**

**Bowl 1 texture:** Black Granite

**Bowl 1 apx. volume (litres):** 13.02

**Bowl 2 (typically 1/2 or 3/4 bowl):**

**Bowl 2 size L x W x D (mm):** 193 x 65 x 27

**Bowl 2 construction:** N/A, N/A mm

**Bowl 2 floor radius (mm):** N/A

**Bowl 2 Wastehole diameter (mm):** N/A

**Bowl 2 overflow:** Rectangular horizontal

**Bowl 2 texture:** Black Granite

**Bowl 2 apx. volume (litres):** 0.34

**Bowl 3:**

**Bowl 3 size L x W x D (mm):** N/A x N/A x N/A

**Bowl 3 construction:** N/A, N/A mm

**Bowl 3 floor radius (mm):** N/A

**Bowl 3 Wastehole diameter (mm):** N/A

**Bowl 3 overflow:** N/A

**Bowl 3 texture:** N/A

**Bowl 3 apx. volume (litres):** N/A

