

RUSTIQUE FIRE CLAY CERAMIC INSET OR UNDERMOUNT SINK

CRUB4329WH/



Size: 796 x 462 mm

RANGEMASTER

SINKS & TAPS

| | |
|-------------------------|---|
| Material | Fire clay Ceramic |
| Material Gauge | |
| Material Finish Bowl | |
| Material Finish Drainer | |
| Drainer Position | |
| Overall Length (mm) | 796 |
| Overall Width (mm) | 462 |
| Main Bowl Length (mm) | 431 |
| Main Bowl Width (mm) | 401 |
| Main Bowl Depth (mm) | 196 |
| Second Bowl Length (mm) | 286 |
| Second Bowl Width (mm) | 401 |
| Second Bowl Depth (mm) | 196 |
| Tap hole Size (mm) | |
| Waste Size (mm) | 2 x 90 |
| Waste Kit | Included with sink (2 x 90m BSW & overflow kit) |
| Min. Base Unit (mm) | 900 |
| Cutout Size Length (mm) | |
| Cutout Size Width (mm) | |
| Warranty Sinks (years) | 25 |
| Product Code | CRUB4329WH/ |
| Barcode | 5015834063157 |

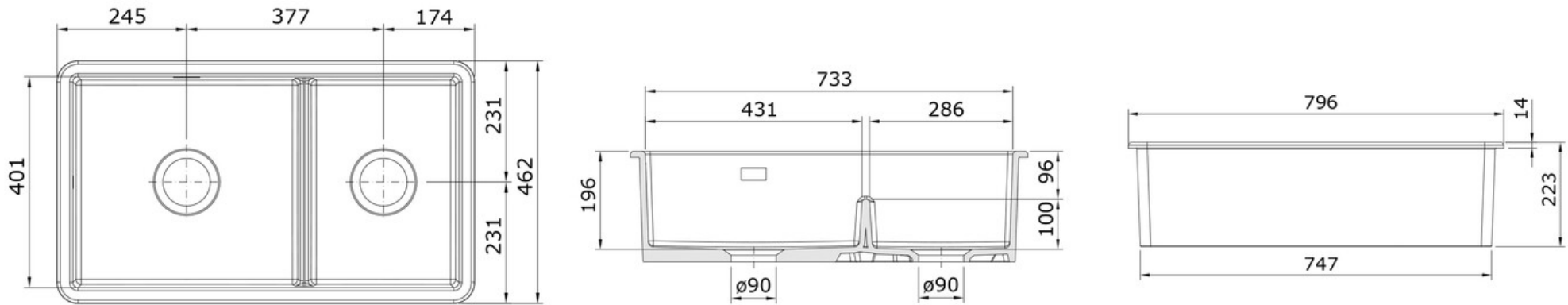
Date of download: June 16, 2026

AGA Rangemaster continuously seeks improvements in specification, design and production of products and thus, alterations take place periodically. Whilst every effort is made to produce up-to date resources, the information included here is intended as a guide. Always refer to the product's installation instructions when fitting, installation work should be completed a professional tradesman.

RUSTIQUE FIRE CLAY CERAMIC INSET OR UNDERMOUNT SINK

CRUB4329WH/

Technical Drawing



NB: Due to manufacturing processes this sink may have a +/- 5mm tolerance on overall measurements, further variances can also occur dependent on specific areas of the sink.

Date of download: June 16, 2026

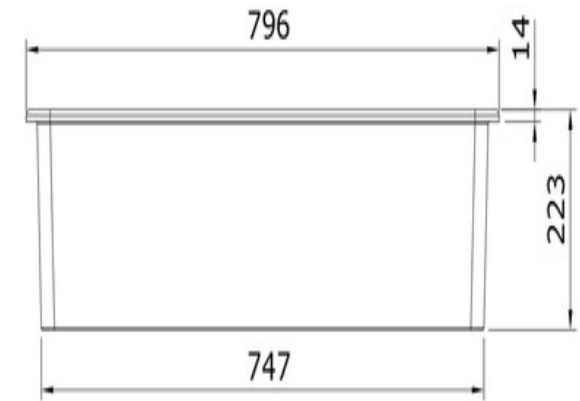
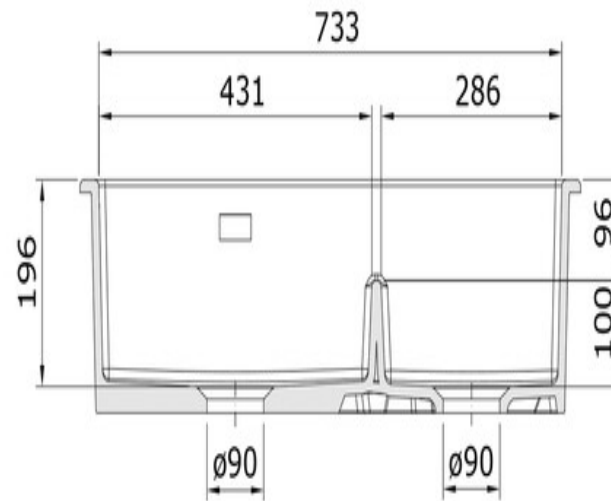
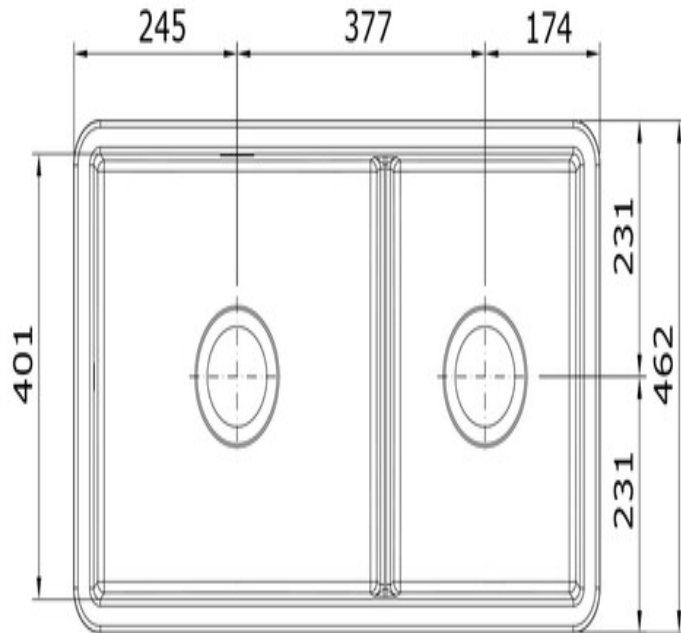
AGA Rangemaster continuously seeks improvements in specification, design and production of products and thus, alterations take place periodically. Whilst every effort is made to produce up-to date resources, the information included here is intended as a guide. Always refer to the product's installation instructions when fitting, installation work should be completed a professional tradesman.

RUSTIQUE FIRE CLAY CERAMIC INSET OR UNDERMOUNT SINK

CRUB4329WH/

Cut Out Template

Dimensions in mm. Not to scale.



NB: Due to manufacturing processes this sink may have a +/- 5mm tolerance on overall measurements, further variances can also occur dependent on specific areas of the sink.

Date of download: June 16, 2026

AGA Rangemaster continuously seeks improvements in specification, design and production of products and thus, alterations take place periodically. Whilst every effort is made to produce up-to date resources, the information included here is intended as a guide. Always refer to the product's installation instructions when fitting, installation work should be completed a professional tradesman.