

## SANDWOOD FIRE CLAY CERAMIC BELFAST SINK

SAN597WH/



**Size: 597 x 630 mm**

The newly introduced Sandwood Fire-clay Sink elegantly combines functionality with classic country charm, showcasing a sit-on base that enhances the aesthetic appeal of any kitchen.

# RANGEMASTER

## SINKS & TAPS

Material	Fire clay Ceramic
Material Gauge	
Material Finish Bowl	
Material Finish Drainer	
Drainer Position	
Overall Length (mm)	597
Overall Width (mm)	630
Main Bowl Length (mm)	531
Main Bowl Width (mm)	418
Main Bowl Depth (mm)	191
Second Bowl Length (mm)	-
Second Bowl Width (mm)	-
Second Bowl Depth (mm)	-
Tap hole Size (mm)	
Waste Size (mm)	
Waste Kit	Included with sink (1 x 90mm BSW & overflow kit)
Min. Base Unit (mm)	600
Cutout Size Length (mm)	
Cutout Size Width (mm)	
Warranty Sinks (years)	0
Product Code	SAN597WH/
Barcode	5015834063164

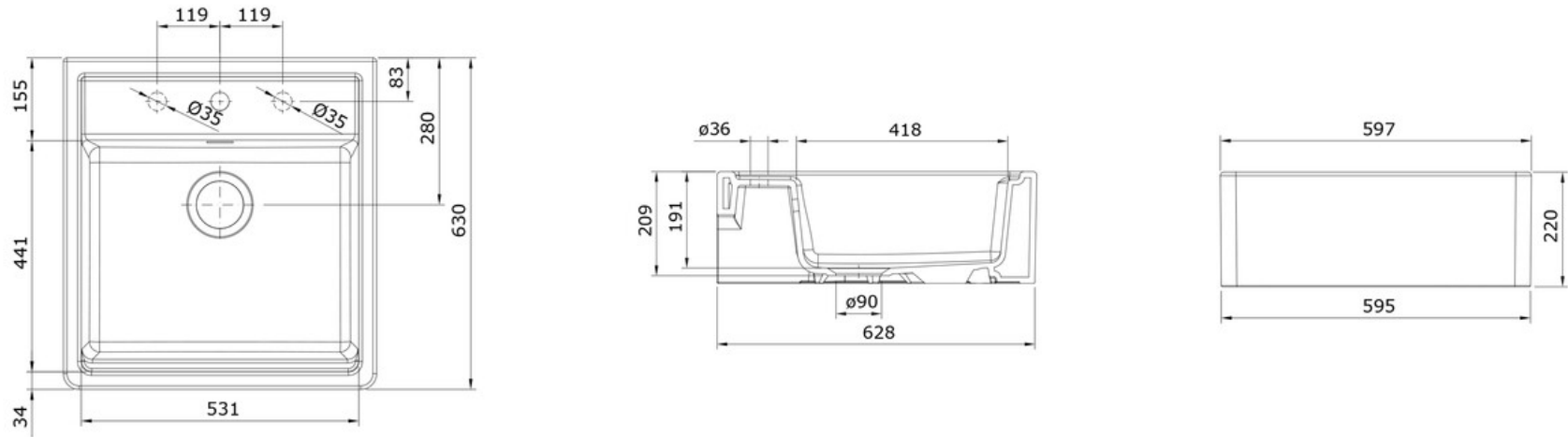
Date of download: June 16, 2026

AGA Rangemaster continuously seeks improvements in specification, design and production of products and thus, alterations take place periodically. Whilst every effort is made to produce up-to date resources, the information included here is intended as a guide. Always refer to the product's installation instructions when fitting, installation work should be completed a professional tradesman.

# SANDWOOD FIRE CLAY CERAMIC BELFAST SINK

SAN597WH/

## Technical Drawing



*NB: Due to manufacturing processes this sink may have a +/- 5mm tolerance on the measurements.*

Date of download: June 16, 2026

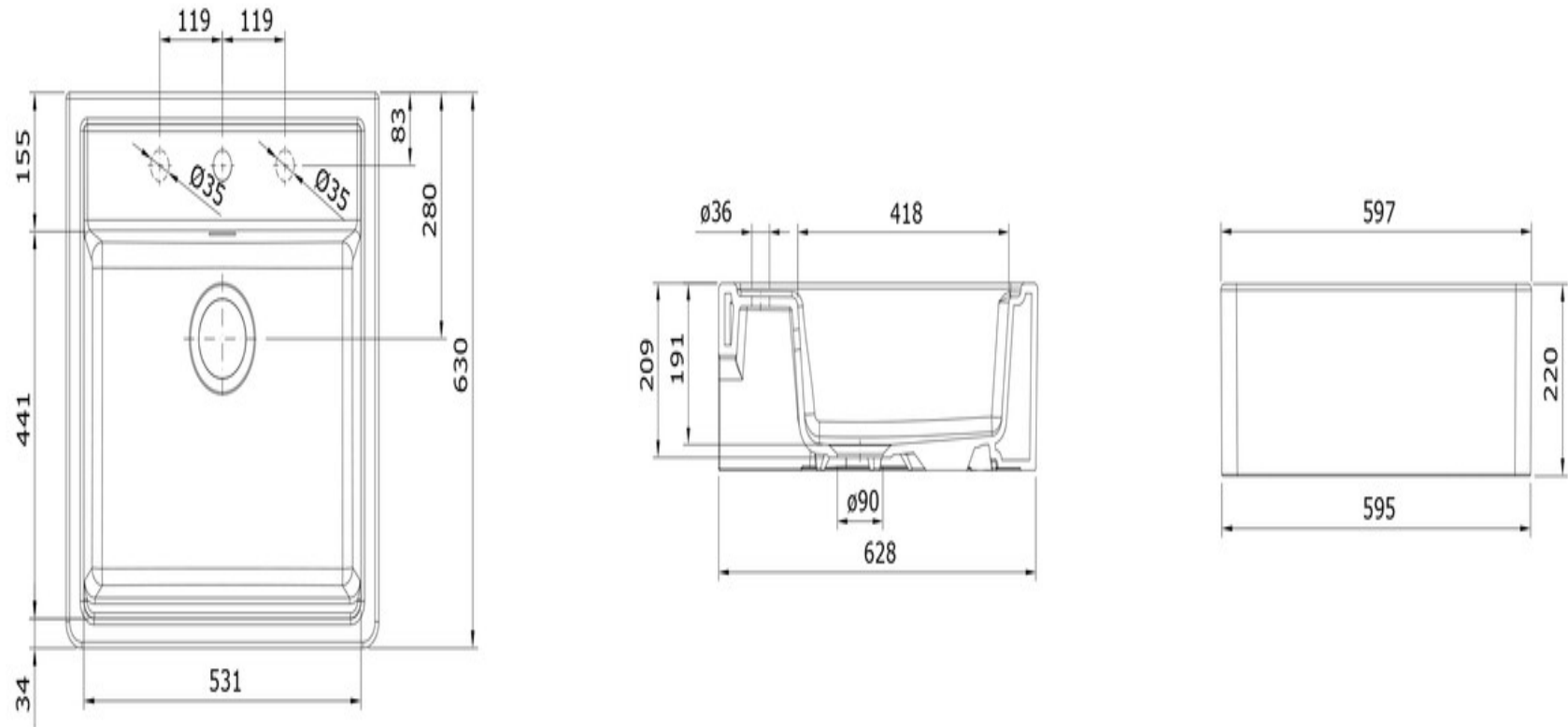
AGA Rangemaster continuously seeks improvements in specification, design and production of products and thus, alterations take place periodically. Whilst every effort is made to produce up-to date resources, the information included here is intended as a guide. Always refer to the product's installation instructions when fitting, installation work should be completed a professional tradesman.

# SANDWOOD FIRE CLAY CERAMIC BELFAST SINK

SAN597WH/

## Cut Out Template

Dimensions in mm. Not to scale.



*NB: Due to manufacturing processes this sink may have a +/- 5mm tolerance on the measurements.*

Date of download: June 16, 2026

AGA Rangemaster continuously seeks improvements in specification, design and production of products and thus, alterations take place periodically. Whilst every effort is made to produce up-to date resources, the information included here is intended as a guide. Always refer to the product's installation instructions when fitting, installation work should be completed a professional tradesman.