

# KUBE DUAL LEVER TAP CHROME

TKUBEDLCM/



The Kube is available in both a single lever and dual lever option and features modern straight lines, perfectly suiting our Kube stainless steel sink range.

- Suitable for medium pressure water systems
- Featuring an anti-splash spout with honeycomb aerator design which mixes air with water to emit a water flow with no splash

# RANGEMASTER

## SINKS & TAPS

Overall Height (mm)	295
Spout Reach (mm)	217
Spout Height (mm)	276
Spout Rotation Range	360°
Handle Type	Dual Lever
Colour	Chrome
Bar Pressure Suitability	Medium Pressure
Min. Bar Pressure	0.5
Max. Bar Pressure	5
Mixed Flow Rate at 3 Bar Pressure (l/min)	12.9
Flow Type	Single Flow
Recommended Hot Water Temperature	46°C
Maximum Hot Water Temperature	70°C
Handle Control	Quarter Turn
Centre Distance (mm)	-
Cartridge Type	Ceramic Disc Cartridge
Aerator Type	Honeycomb Aerator
Inlet Pipes	Stainless Flexible Hoses
Anti-Splash Spout	Yes
Pull Out Spray	No
WRAS Approved	Yes
Product Code	TKUBEDLCM/
Barcode	5015834063362

Date of download: April 02, 2026

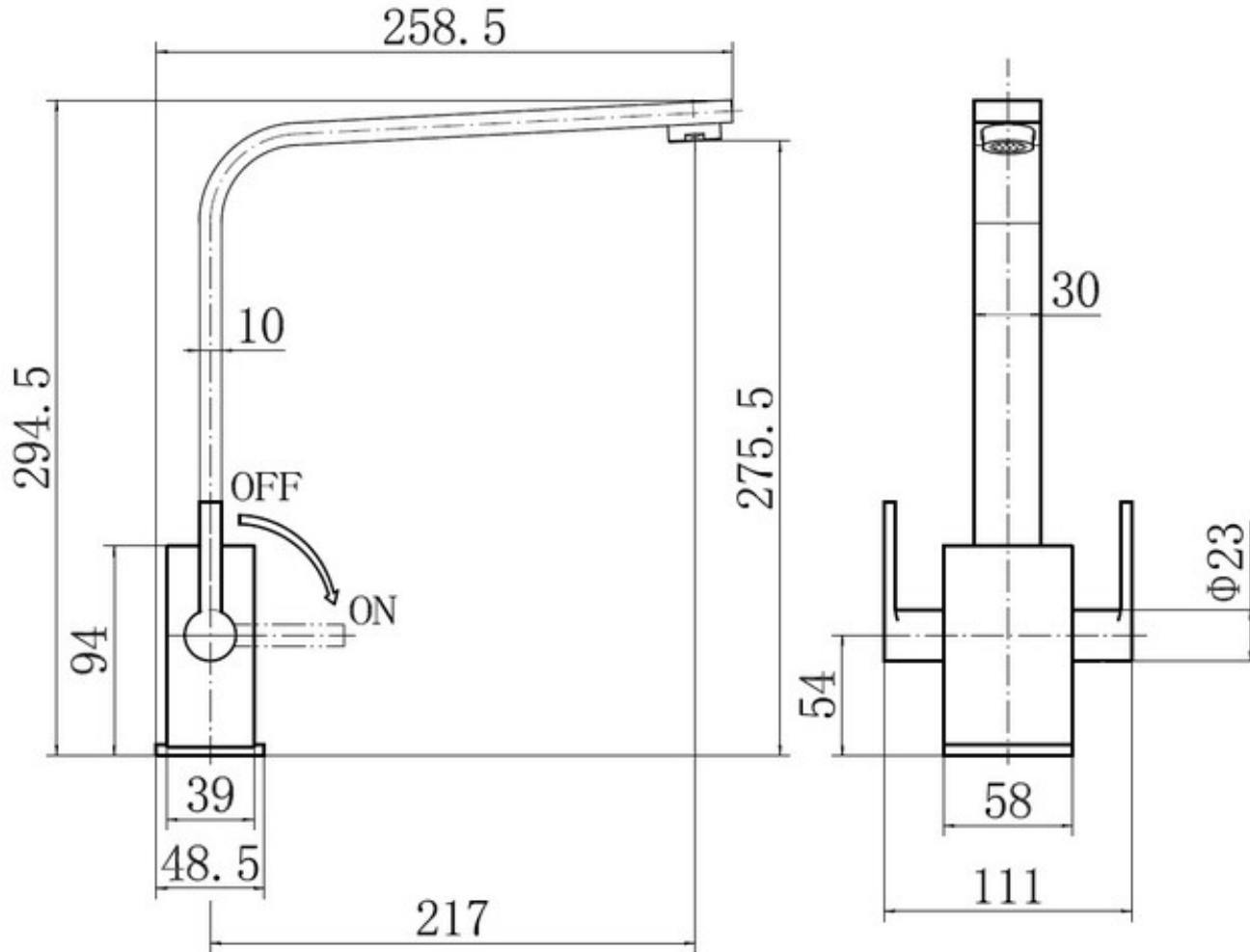
AGA Rangemaster continuously seeks improvements in specification, design and production of products and thus, alterations take place periodically. Whilst every effort is made to produce up to date resources, the information included here is intended as a guide. Always refer to the installation instructions when fitting, installation work should be completed by a professional tradesman.

# KUBE DUAL LEVER TAP CHROME

TKUBEDLCM/

# RANGEMASTER SINKS & TAPS

## Technical Drawing



Date of download: April 02, 2026

AGA Rangemaster continuously seeks improvements in specification, design and production of products and thus, alterations take place periodically. Whilst every effort is made to produce up to date resources, the information included here is intended as a guide. Always refer to the installation instructions when fitting, installation work should be completed by a professional tradesman.