

PRO SPRAY SINGLE LEVER TAP CHROME

TPR1CM/



The ultimate accessory for the aspiring and professional chef, turn your sink into the ultimate work station with the Pro Spray kitchen tap, which features jet and spray functions with self cancelling function, ideal for food preparation and cleaning stubborn stains from dishes.

- Featuring a pull-out hose with jet and spray self cancelling sprayhead
- Suitable for high pressure water systems emitting a minimum pressure of 1.0 bar or above

RANGEMASTER

SINKS & TAPS

Overall Height (mm)	535
Spout Reach (mm)	184
Spout Height (mm)	225
Spout Rotation Range	360°
Handle Type	Single Lever
Colour	Chrome
Bar Pressure Suitability	High Pressure
Min. Bar Pressure	1.50
Max. Bar Pressure	5.50
Mixed Flow Rate at 3 Bar Pressure (l/min)	7.45
Flow Type	Single Flow
Recommended Hot Water Temperature	46°C
Maximum Hot Water Temperature	70°C
Handle Control	Half Turn
Centre Distance (mm)	-
Cartridge Type	Ceramic Disc Cartridge
Aerator Type	Honeycomb Aerator
Inlet Pipes	1/2" Stainless Flexible Hoses
Anti-Splash Spout	Yes
Pull Out Spray	Yes
WRAS Approved	No
Product Code	TPR1CM/
Barcode	5015834045931

Date of download: May 08, 2026

AGA Rangemaster continuously seeks improvements in specification, design and production of products and thus, alterations take place periodically. Whilst every effort is made to produce up to date resources, the information included here is intended as a guide. Always refer to the installation instructions when fitting, installation work should be completed by a professional tradesman.

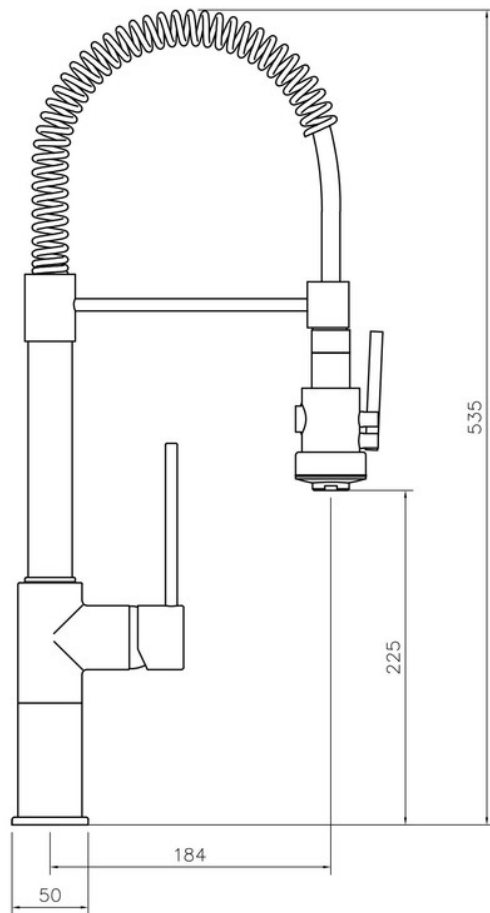
PRO SPRAY SINGLE LEVER TAP CHROME

TPR1CM/

RANGEMASTER

SINKS & TAPS

Technical Drawing



Date of download: May 08, 2026

AGA Rangemaster continuously seeks improvements in specification, design and production of products and thus, alterations take place periodically. Whilst every effort is made to produce up to date resources, the information included here is intended as a guide. Always refer to the installation instructions when fitting, installation work should be completed by a professional tradesman.